



- Practical mould change system.
- Stainless steel, long lasting plates.

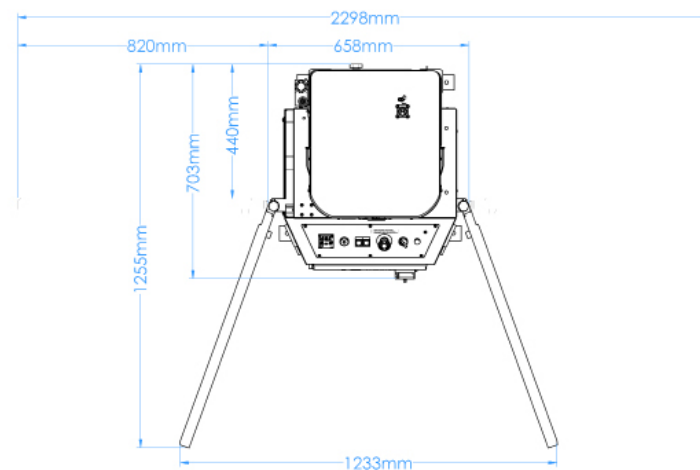
### General Features

- Single corner welding of profiles between 30°-180°.
- Smooth welding of long profiles thanks to rotating support arms.
- All heat and time parameters are set independently.

### Optional Equipments



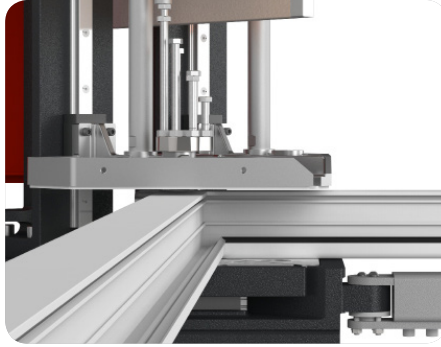
- Welding Moulds



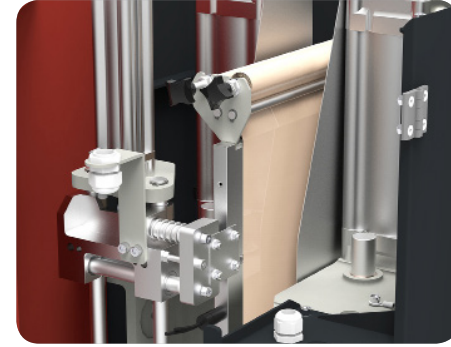
- The product has patented features.



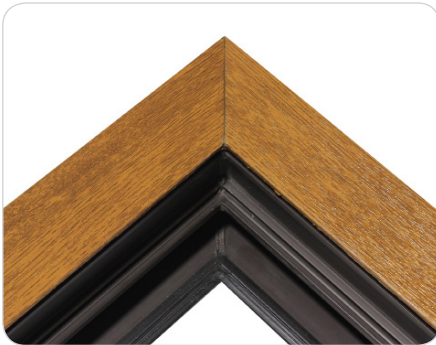
- Digital setting of heating values.



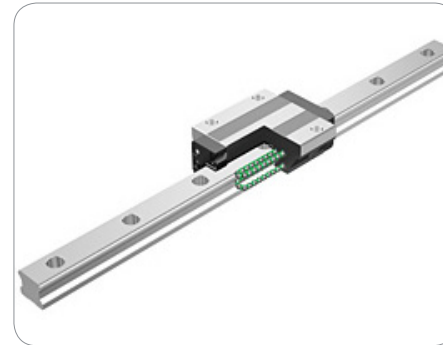
- Piston stroke is adjusted according to profile height through stoppers.
- Time saving while profile is clamped as the stopper is adjusted 3-5 mm higher than profile.



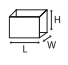




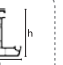
- Practical teflon change thanks to roller system.
- Stable heat distribution and long lasting heater plates distributes the heat homogenously.



- Standard zero (0,2mm) welding. It can be adjusted to normal welding.



- Continous precision of welding quality thanks to linear rails.

 <p>H: 1660 mm</p>	 <p>230 V L1-N-PE 50 / 60 Hz 2 KW</p>	 <p>200 kg</p>	 <p>A min: 340 mm</p>	 <p>6-8 Bar 27 l / minute</p>	 <p>a max.: 130 mm h max.: 180 mm</p>
---	--	---	--	--	--