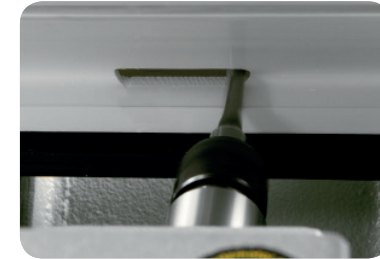


- Practical adjustment of profile height and driller depth by the help of stoppers.



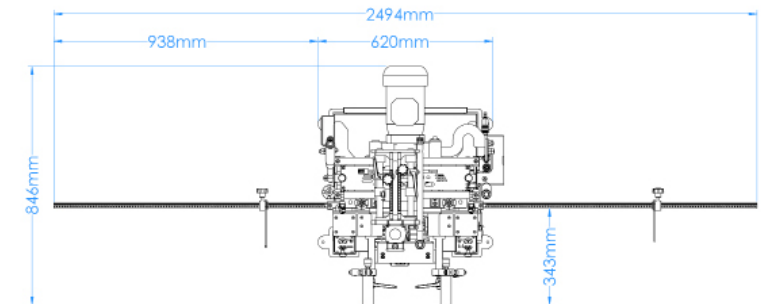
- Water slot opening on PVC profiles with pneumatical system.

- Manual control with the guideness of tracking tip.



General Features

- Espagnolette canal, lock, cylinder and handle holes opening on PVC profiles.
- Copy routing with template.
- Driller motors move separately.
- Canal opening without template thanks to support plates.



<p>H: 1570 mm</p>	<p>400 V L1-L2-L3-N-PE 50 / 60 Hz 0.55 kW</p>	<p>130 kg</p>	<p>a max: 90 mm min: 30 mm h max: 110 mm</p>	<p>6-8 Bar 16 l / Cycle</p>	<p>D: 11 mm x 2 D: 13 mm mov.: 80 mm</p>	<p>A: 60 mm</p>	<p>ØD1 D1: 5,2 mm D2: 8 mm 18000 rpm ØD2</p>	<p>D2 A: 145 mm B: 290 mm C: 70 mm D1: 8 mm D1: 5,2 mm D2: 8 mm D2: 8 mm</p>
-------------------	---	---------------	--	---------------------------------	--	-----------------	--	--